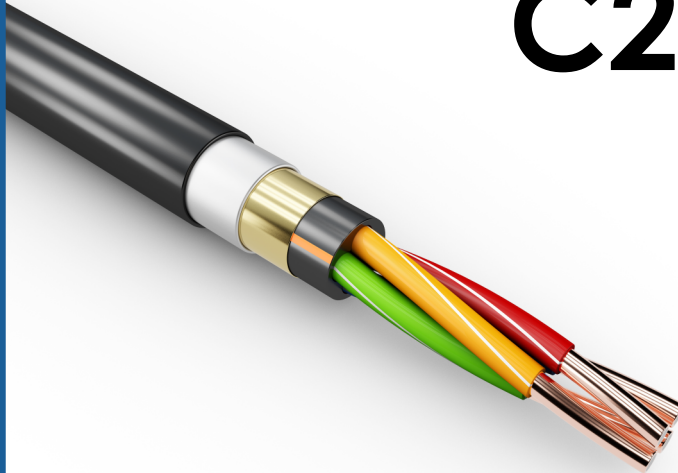




GENVOLT

Multi Conductor Cable

C2217



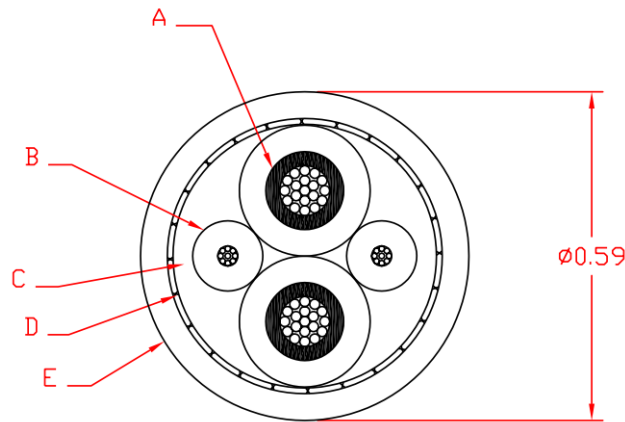
High Voltage
Multi Conductor Cable



C2217

15kV_{DC} / SILICONE DIELECTRIC / 4 CONDUCTOR SHIELDED

CONSTRUCTION



KEY

- A. 2 X #12 AWG (19x #22 AWG) SILVER PLATED COPPER
BLACK SEMI-CONDUCTIVE SILICONE RUBBER
INSULATION: WHITE SILICONE RUBBER TO $\varnothing 0.235 \pm 0.015$
- B. 2 X #20 AWG (10x #30 AWG) TIN PLATED COPPER
SILICONE RUBBER INSULATION TO $\varnothing 0.126$
COLOUR: ONE WHITE, ONE RED
- C. FILLER MATERIAL & MYLAR BINDER TAPE
- D. BRAIDED SHIELD, #34 AWG, 85% COVERAGE
- E. BLUE PVC JACKET, 0.040 WALL

TECHNICAL INFORMATION

Voltage kV (DC)		15	Voltage kV (AC)		5		
Number of Conductors		2	Outside Diameter	Inches	0.590		
		2		cm	1.499		
AWG		#12	Impedance	ohms	24		
		#20			42		
Strands		19/25 SPC	Capacitance	pF/ft	98		
		10/30 TC			43		
Insulation		Silicone		Min Bend Radius	Inches	5.00	
Semicon Diameter		0.135" (0.34cm)			Cm	12.70	
Dielectric Insulation		Material		Silicone			
		Diameter (in)	0.235	0.126	Min Ambient Temp	$^{\circ}\text{F}$	-60
			Diameter (cm)	0.600		0.32	$^{\circ}\text{C}$
Shield		Construction	#34 TC Braid		Max Conductor Temp	$^{\circ}\text{F}$	140
		AWG Equiv	#15			$^{\circ}\text{C}$	60
Shield		Coverage %	85%		Weight	lb/ft	0.250
		Semicon	N/A			kG/m	0.373
				Jacket Material	PVC		

GLOBAL PRESENCE



UK Office:

Genvolt, New Road, Bridgnorth, Shropshire, WV16 6NN, United Kingdom

Tel: +44 (0) 1746 862 555

Email: info@genvolt.co.uk Website: www.genvolt.com

India Office:

Genvolt India Private Limited

806, Suratwala Mark Plazzo, Hinjewadi Village, Hinjewadi, Pune, Maharashtra - 411057, India

Email: supportindia@genvolt.co.uk Website: www.genvolt.in

Research and Development:

Genvolt Ltd

New road, Bridgnorth, Shropshire, WV16 6NN

Factories:

Genvolt Ltd

New road, Bridgnorth, Shropshire, WV16 6NN

Boher High Voltage Power Supplies Ltd (Genvolt China)

No. 79 Yandangshan Road, Suyu District, Suqian City, Jiangsu, China